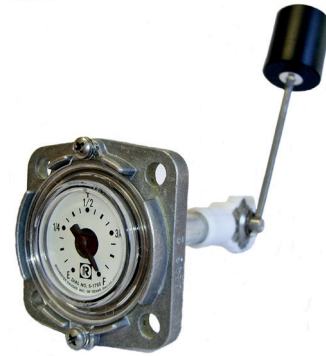




## Application

The COLM (COntec Level Measurement) 6500 Series Senior™ gauges are designed for use in low pressure tanks 0–25 psig [0–1.7 Bar] containing diesel fuel, gasoline, fuel oil and lubricating oils.

Typical applications are on generators, boats, construction equipment, farm equipment and home heating.



## General Specifications

<b>Accuracy:</b>	Direct dials $\pm 3\%$ ; TwinSite™ $\pm 7\%$ .
<b>Temperature Range:</b>	–40 °C to +70 °C
<b>Shock &amp; Vibration:</b>	Suitable for mobile applications.
<b>Power:</b>	0.5 watts maximum (TwinSite™)
<b>Tank Pressure:</b>	Up to 0–25 psig [0–1.7 Bar]
<b>Approvals:</b>	<ul style="list-style-type: none"> <li>• ATEX approved</li> <li>• UL listed for flammable liquids (optional)</li> </ul>

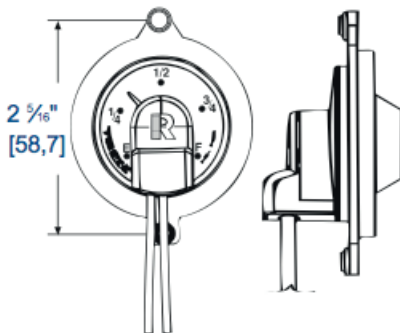
## Materials of Construction

<b>Head:</b>	Die cast aluminum
<b>Stem &amp; float arm:</b>	Tempered aluminum
<b>Gears &amp; Bearings:</b>	Stainless steel
<b>Drive Magnet:</b>	Alnico
<b>Gear Housing:</b>	Acetal plastic
<b>Float:</b>	Nitrile rubber
<b>Gasket:</b>	Buna-N, 0015-00004 or 0015-00079
<b>Direct Reading Dial:</b>	Aluminum with acrylic crystal
<b>Side Reading Dial:</b>	Aluminum with polycarbonate crystal
<b>TwinSite™ Sender:</b>	Polyamide
<b>Screws:</b>	Zinc-plated steel $\frac{1}{4}$ " -28X 9/16" long

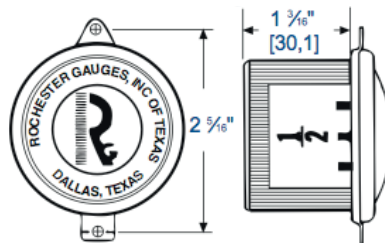
## Technical data

Model	Action	Mounting	Dial, Sender or Switch Data
6540	Gear	Top	Senior™ TwinSite™ (0–30,0–90, or 240–30 Ohm ranges).
6543		C/L or Angle	
L6543	Lever	C/L	
6560	Gear	Top	Senior™ side-reading fractional
6580		C/L or Angle	Senior™ direct-reading fractional
6583		C/L or Angle	
L6583	Lever	C/L	

### Twinsite Dial



### Side-Reading Dial



### Direct-Reading Dial

