



Application

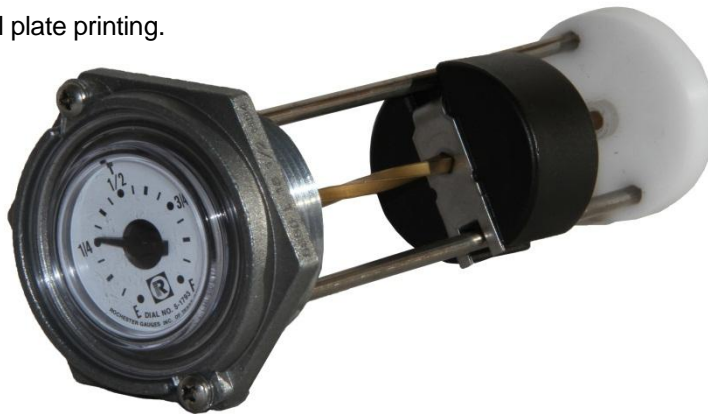
The 8660-2 Series spiral gauges are designed for use in measuring liquid levels in hydraulic, lubricating or fuel-oil storage tanks, gasoline, diesel fuel levels in stationary, standby or mobile generators.

General Information & Features

The 8660-2 spiral gauge is supplied with a 1-1/2" NPT tank connection and are suitable for tank pressure up to 1.7 bar maximum. They are designed for top mounting in tank up to 1200mm deep.

Optional

Customised dial plate printing.



General Specifications

Mounting

Designed for top-mounting only.

Repeatability

Repeatability depends on proper gauge sizing & tank configuration. Normally, standard dials are ±7%

Temperature

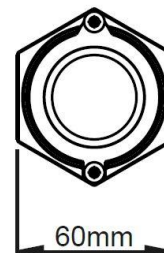
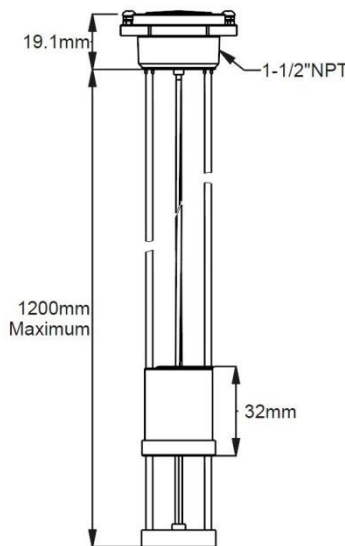
Standard operating range is -45°C to +85°C

Humidity

Exposed metallic portion should be painted for marine applications.

Tank Pressure

0 to 1.7 Bar maximum.



Material of construction

- Head :Die-cast Zinc
- Guide Rod :Stainless Steel
- Centershaft :Brass
- Tie plate :Stainless Steel
- Float :Nitril rubber
- Drive Magnet :Plastiform
- Dial : Polycarbonate crystal, hermetically sealed
- Bearings :Ertacetal.

Heavy Duty Spiral Gauge

**MADE
IN
EUROPE**