



**Application**

The 6400 series gauges are widely used to indicate the liquid levels of Chemicals and fluid.

The 6400 serie is used for tank diameter/height up to 2000mm and tank pressure up to 30 bars.

The float is counterbalanced for low specific gravity fluids.

The gauge can be equipped with a direct reading dial, Twinsite or switch.

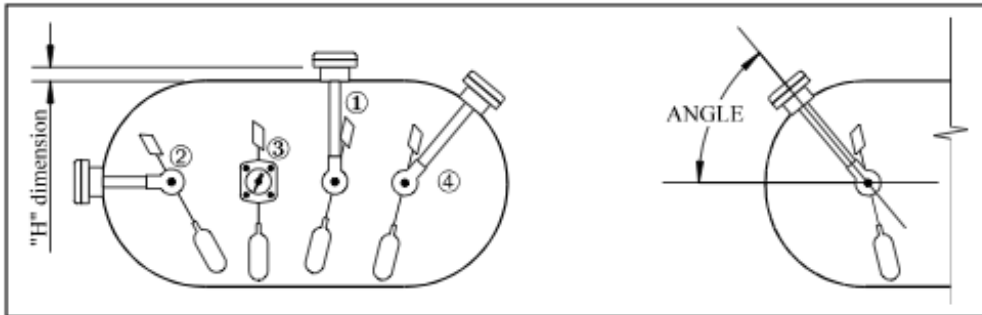
**Standard material of construction**

- Head: Stainless Steel
- Gear housing: Stainless Steel
- Centershaft, support tube, float rod: Stainless Steel
- Gears, cross stud, bearings: Stainless Steel
- Drive magnet: Teflon Coated Neodymium
- Float: Stainless Steel
- Gasket: Teflon, Stainless Steel spiral wound
- Counterweight: Stainless Steel



**Mounting position**

Gauges of serie 6400 can be manufactured for any mounting position.



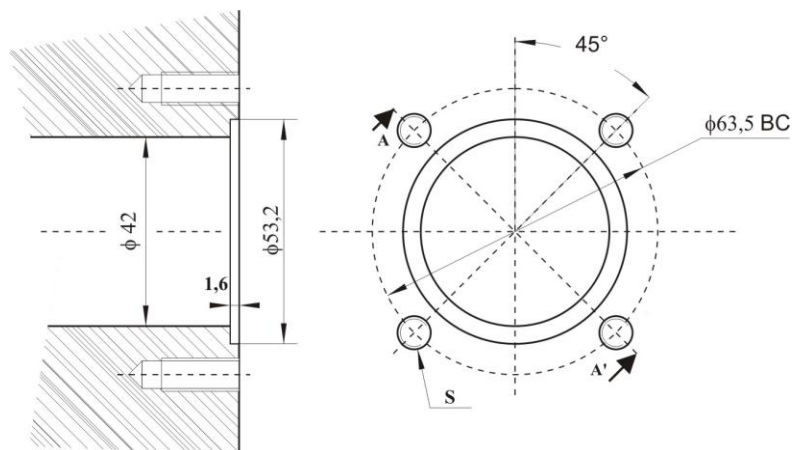
- Vertical : top mounted 1
- Horizontal: end mounted 2
- Horizontal: side mounted 3
- Angle: angle mounted 4  
(angle is specified from horizontal, positive above horizontal, negative below horizontal)

**Stainless Steel Magnetic  
Liquid-Level Gauges**

**MADE  
IN  
EUROPE**

## Mounting

Senior: (4) screws 5/16"-24\*7/8" or M8/25 mm on 63.5 mm bolt circle diameter.



MODEL NUMBER	MOUNTING	DIAL TYPE
6440	TOP	Twinsite
6443	HORIZ. OR ANGLE	Twinsite
6460	TOP	Side reading
6480	TOP	50 mm dial
6483	HORIZ. OR ANGLE	50 mm dial
6490	TOP	100 mm dial
6493	HORIZ. OR ANGLE	100 mm dial

## Ordering information

A. For cylindrical horizontal tanks, specify:

- gauge model number
- liquid to be gauged with its density, tank design pressure
- working pressure and temperature
- mounting position
- riser dimension (distance between gauge gasket seat and tank wall)
- outside and inside diameter
- shape of dished end for end mounting gauge
- tank drawing is required for gauge angle mounted on dished end of tank

B. For vertical cylindrical tanks, specify;

- same information as in A
- dimension of cylindrical part and dimension of dished ends
- position of gauge from bottom of tank for side mounted gauge; position of gauge from vertical centerline of tank to be gauged
- total tank content
- portion of tank to be gauged

C. For non cylindrical tanks, specify:

- Same information as in A
- tank drawing